



Cold Plate Chiller

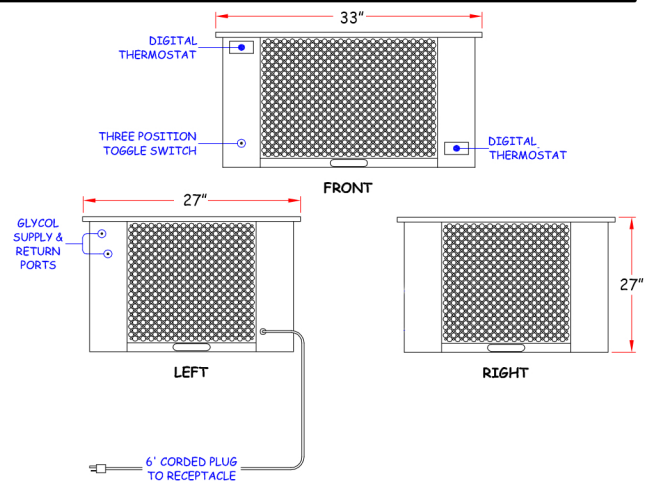
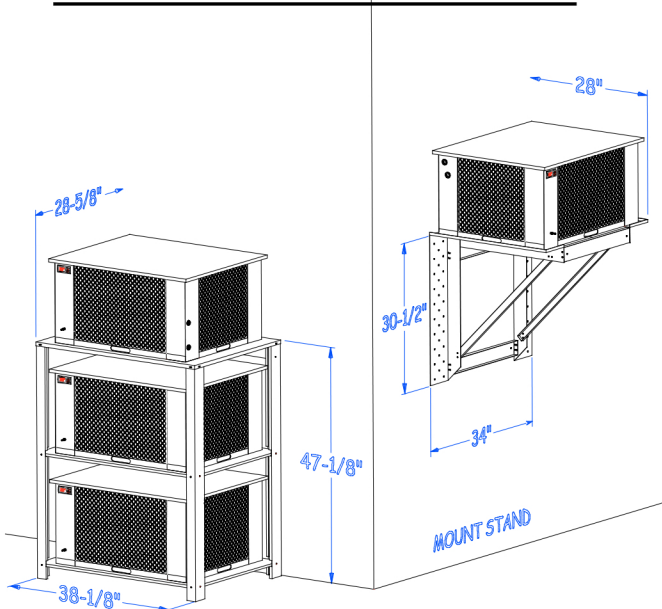
Description

- Refrigeration recirculation system used for cooling a plate for dogs or any animal
- Sealed glycol circulation reservoir that assures no glycol dissipation
- Intergrated safety features that protect major components for reliabilty and long service life
- Adjustable digital thermostat for controlling dispensing temperature
- All valves make loading glycol simple - no funneling or spillage
- 304 stainless steel enclosure

Requirements and Disclaimers:

- Proper ventilation is required for maximum efficiency
- Allow 12" around entire unit for proper airflow and performance
- Additional space above and in front of unit should be allocated for serviceability

Wall and floor mount stands:



Voltage - 208/240v 60Hz PH1
Full load amps 9 / Breaker size 20amp
NEMA plug type 6-20P

